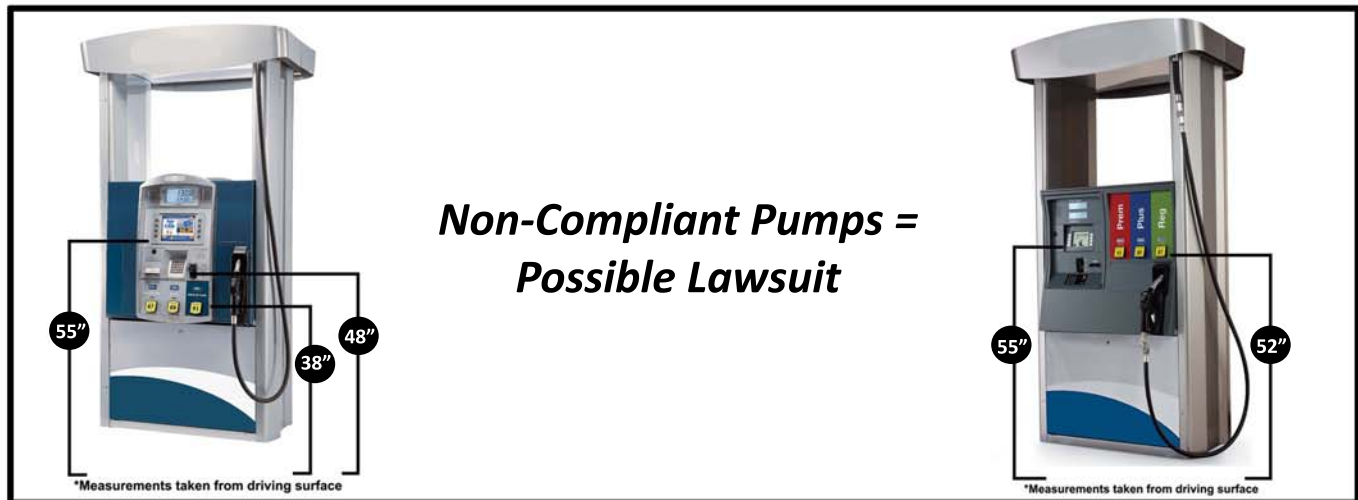


2010 ADA Standards for Accessible Design – Simplified

The 2010 ADA Standards for Accessible Design specifies new requirements governing the “reach range of operable parts” of fuel pumps. These new reach ranges will become effective 3/15/2012. This is a simplified explanation for owners/operators to help clarify these new rules.

The United States Department of Justice (DOJ) has stated that any pump with reach heights of operable parts over 54 inches as of 3/15/2012 will be in violation of Americans with Disabilities Act (ADA), putting the station owner at risk of a lawsuit. “Operable parts” include the credit card reader and the button for selecting fuel grade, as well as any buttons offered for requesting help.



Design Requirements of Fuel Pumps

Section 308.3.1 of the 2010 ADA Standards for Accessible Design requires that the height of operable parts of fuel dispensers not exceed 54 inches off the ground (off the vehicular way). For new construction, or rebuilt curbs, the height of controls on the pump must not exceed 48 inches.

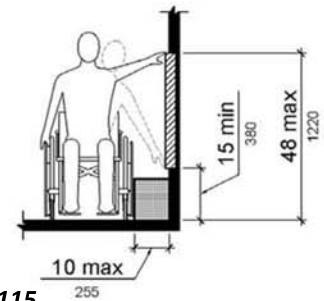
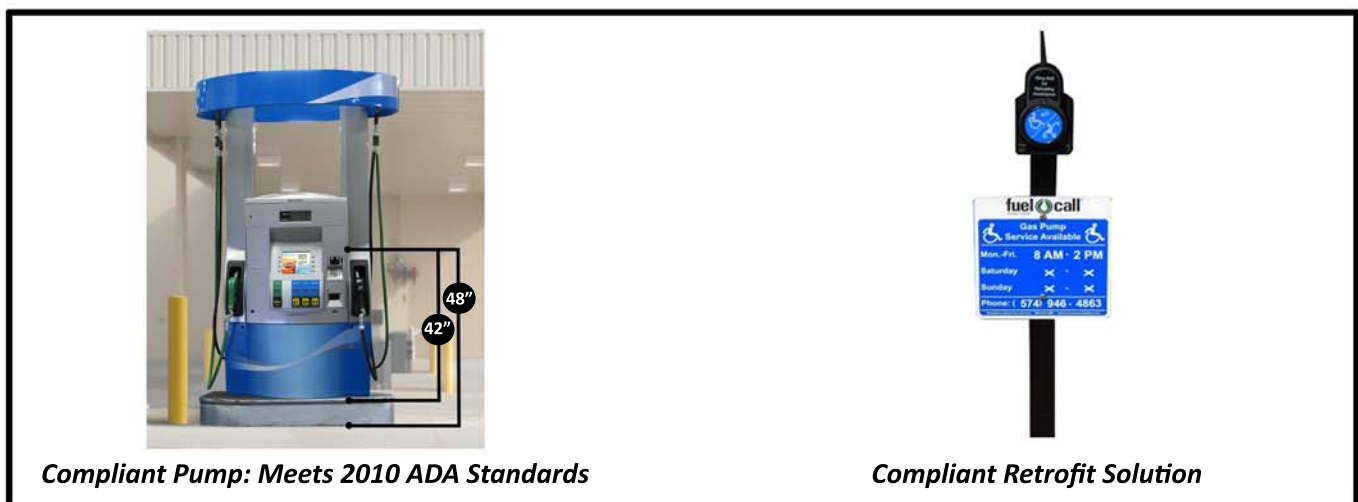


Figure 308.3.1: Unobstructed Side Reach
Department of Justice 2010 Standards, p.115



What can I do?

1. Measure height from driving surface to operable parts/buttons (must be 54” or less).
2. The DOJ maintains a toll-free ADA Information Line **800-514-0301**(voice), permitting businesses, state and local governments, and others to ask questions about general or specific ADA requirements, including questions about the ADA Standards for Accessible Design.